

道路用製品

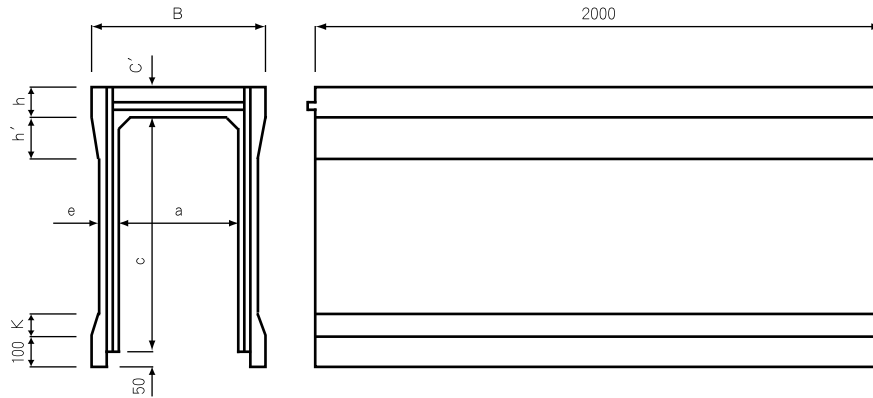
I S側溝

No. 1

■規格図

〔製品規格－1〕 I S 本体 L=2000mm

- 直線用標準品
- 蓋板 2 枚がけ
- 水路内幅300^m/_m~600^m/_m



呼び名	寸法 (mm)											参考重量 (kg)	価格					
	B	H	a	C	C'	d	e	j	i	s	k							
300× 300		445		300			50		100		40	330	13,710					
× 400	500	545	300	400	95	50	55	44	150	25	50	408	16,990					
× 500		645		500								65	41	30	60	460	19,170	
× 600		745		600												75	170	40
× 700		845		700			85		180	45	/	619	26,330					
× 800		945		800								1,056	49,610					
× 900		1,045		900														
× 1,000		1,145		1,000														
× 1,100		1,245		1,100														
400× 400		610		560			400		400	110	55	55	44	150	30	50	470	21,160
× 500				660					500			60		160	40	60	545	24,790
× 600	760		600	70	46	45		70	601								27,390	
× 700	860		700						80			180		50	80	713	33,770	
× 800	960		800	993	50,540													
× 900	1,060		900															
× 1,000	1,160		1,000															
× 1,100	1,260		1,100															
× 1,200	1,360		1,200															
500× 500	720		675	500	500	125		55	70			50		170	45	70	655	28,340
× 600		775	600		85		45			55	80		724				34,280	
× 700		875	700										95				190	65
× 800		975	800		1,373		70,290											
× 900		1,075	900															
× 1,000		1,175	1,000															
× 1,100		1,275	1,100															
× 1,200		1,375	1,200															
× 1,300		1,475	1,300															
× 1,400		1,575	1,400															
600× 600	830	790	600	600	140	60	75	50	180	55	80	830						
× 700		890		700								90		50	65	90	902	
× 800		990		800													100	200
× 900		1,090		900														
× 1,000		1,190		1,000														
× 1,100		1,290		1,100														
× 1,200		1,390		1,200														
× 1,300		1,490		1,300														
× 1,400		1,590		1,400														
× 1,500		1,690		1,500														